

Heckler AV

# VESA ADAPTER KIT

for Heckler AV Cart & Heckler TV Stand

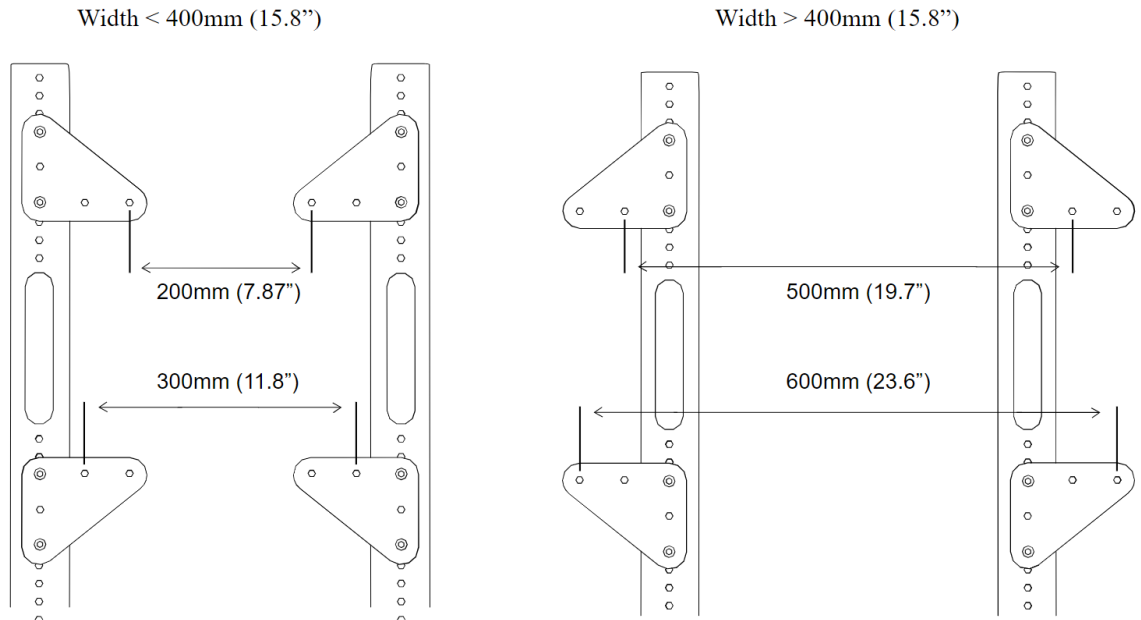


## Add VESA 200, 300, 500, and 600 Support

Want to use Heckler AV Cart or Heckler TV Stand, but your display does not have a VESA 400x400 mounting pattern? No problem.

These strong, simple adapters do the trick. With these adapters you can mount displays with horizontal and vertical mounting holes spacing of 200, 300, 500, and 600 millimeters.

# Configurations Based on Display Dimensions



# Specifications

Dimensions	Width: 5.5 inches Depth: 4.625 inches Height: 0.15 inches
Weight	2.8 lbs
Materials	Powder Coated Steel
Compatible Devices	Displays with the following VESA patterns: <ul style="list-style-type: none"><li>• 200 x 200</li><li>• 200 x 300</li><li>• 200 x 400</li><li>• 300 x 200</li><li>• 300 x 300</li><li>• 300 x 400</li><li>• 500 x 200</li><li>• 500 x 300</li><li>• 500 x 400</li><li>• 500 x 500</li><li>• 600 x 200</li><li>• 600 x 300</li><li>• 600 x 400</li><li>• 600 x 500</li><li>• 600 x 600</li></ul> <p><b>Not compatible</b> with <a href="#">Dual Display Kit for Heckler AV Cart</a></p>