

Brother Printer Mount

Assembly Instructions

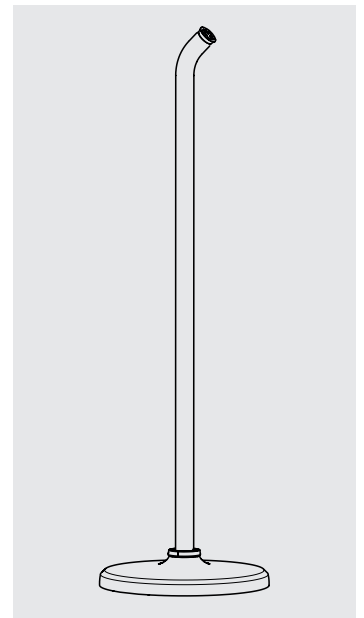
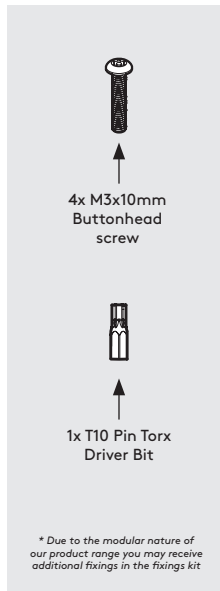
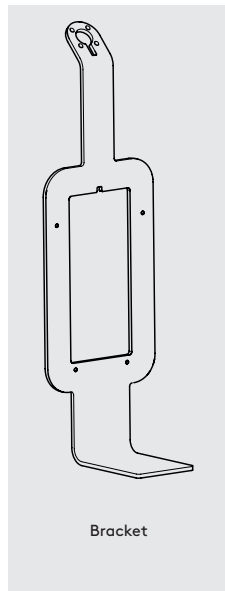
Tools Required:

- Socket Driver

Sheet Code: BP-IM-057_REV0

Release Date: 18/11/2019

Copyright 2016 Spotspot Ltd. (T/A Bouncepad) all rights reserved. Confidential, no part of this publication may be reproduced or transmitted in any form without the written permission of the copyright holder.



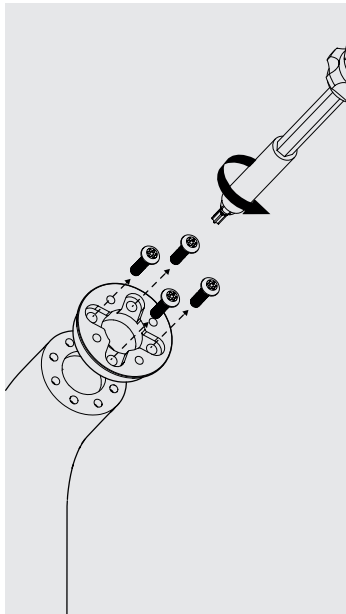
In the Box



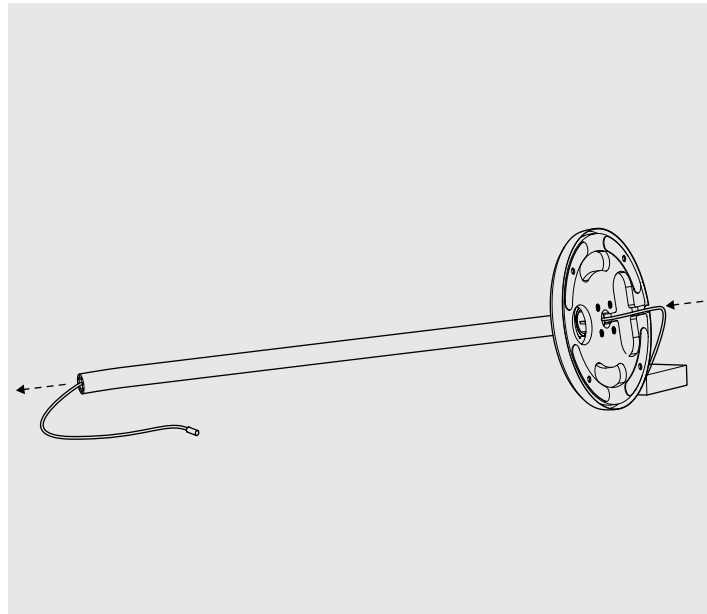
Fixings List

1

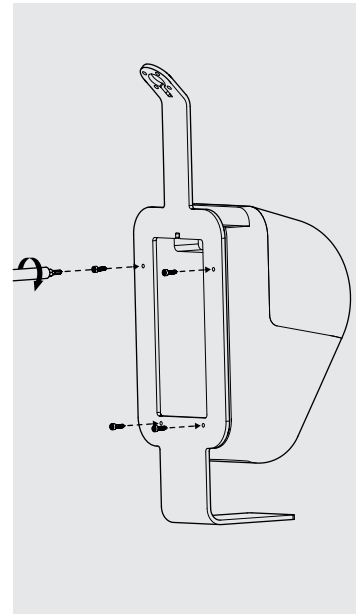
Complete Steps 1 and 2 of Floorstanding Manual



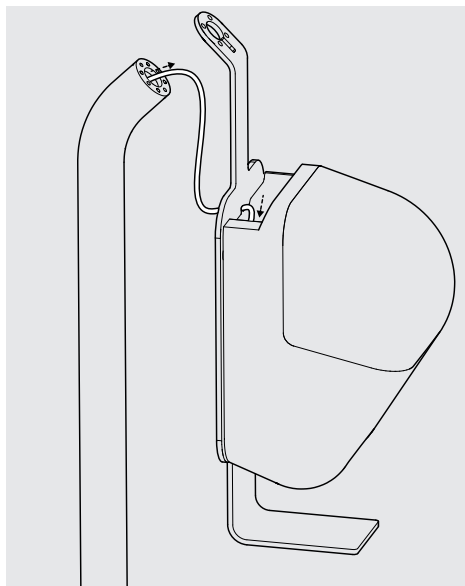
2 Remove Neck-Ring using T20 driver bit and Socket Driver



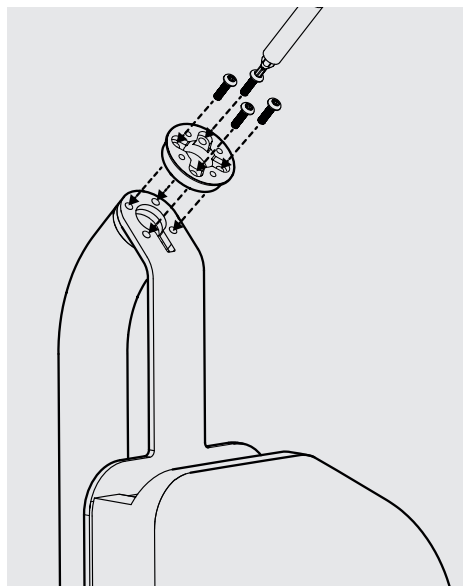
3 Feed the printer's power cable through the Floorstanding Pole



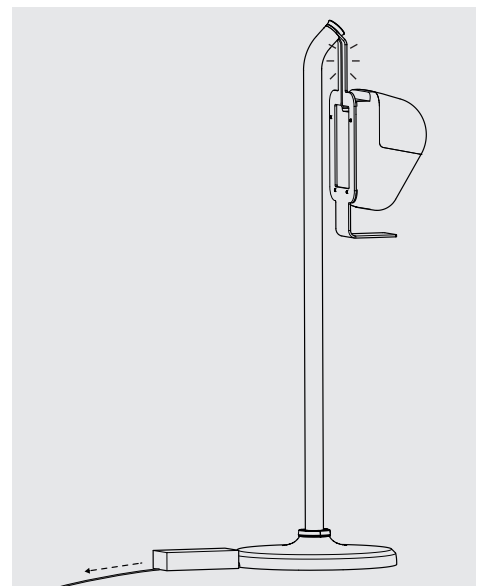
4 Attach the printer to the Bracket using M3x10mm Screws and T10 driver bit



5 Feed power cable through Bracket and plug into Printer



6 Re-attach Neck-Ring



7 Pull cable back to remove any slack near the bracket. Return to Step 3 of Floorstanding Manual